

WT7100CW

4.5 cu. ft. Rear Control Top Load Washer



4.5 cu. ft. Capacity

NeveRust™ Stainless Steel Drum

Direct Drive Motor with 10-Year Warranty

8 Wash Programs

ColdWash™ Option

ENERGY STAR® Qualified

SmartDiagnosis™

| SUMMARY | |
|---|--|
| Energy Star Qualified | Yes |
| Capacity (cu.ft.) | 4.5 cu. ft. |
| Matching Electric Dryer | DLE7100W |
| Matching Gas Dryer | DLG7101W |
| Color | White (W) |
| CAPACITY | |
| Capacity | 4.5 cu. ft. |
| APPEARANCE | |
| Intelligent Electronic Controls with Dual LED Display | Yes |
| Touch Buttons | Yes |
| Electronic Control Panel with LED Display | Yes |
| Dial-A-Cycle™ | Yes |
| ENERGY | |
| ENERGY STAR® Qualified | Yes |
| IMEF | 2.06 |
| IWF | 4.3 |
| WASH PROGRAMS | |
| No. of Programs | 8 |
| Wash Programs | Deep Wash, Normal, Bedding, Heavy Duty, Speed Wash, Delicates, Waterproof, Tub Clean |
| WASH OPTIONS | |
| No. of Options | 10 |
| Options | Soak, Extra Rinse, Add Garment, Delay Wash, Control Lock, Water Plus, Cold Wash, Signal, Rinse+Spin, Spin Only |

| WASH DETAILS | |
|------------------------------------|---|
| No. of Wash/Rinse Temps | 3 |
| Wash/Rinse Temps | Hot, Warm, Cold |
| No. of Spin Speeds | 3 |
| Spin Speeds | High, Medium, Low |
| No. of Water Levels | Automatically adjusts to the size of load |
| No. of Soil Levels | 3 |
| FABRIC CARE FEATURES | |
| SmartRinse™ Jet Spray System | Yes |
| ColdWash™ Option | Yes |
| SenseClean™ System | Yes |
| CONVENIENCE FEATURES | |
| SlamProof™ Lid | Yes |
| TrueBalance™ Anti-Vibration System | Yes |
| SmartDiagnosis™ | Yes |
| 3-Tray Dispenser | Yes |
| LoadSense | Yes |
| Status Indicator(s) | Yes |
| End of Cycle Signal | Yes |
| Child Lock | Yes |
| Auto Suds Removal | Yes |
| Forced Drain System | Yes |
| Add Garment Indicator | Yes |
| LoDecibel™ Quiet Operation | Yes |
| Leveling Legs | Yes |

| MOTOR AND AGITATOR | |
|-------------------------------------|---|
| Motor Type | HEDD |
| Max RPM | 950 |
| Axis | Vertical |
| MATERIALS AND FINISHES | |
| NeveRust™ Stainless Steel Drum | Yes |
| NeveRust™ Stainless Steel Washplate | Yes |
| Cabinet | Painted Steel |
| All Available Colors | White (W) |
| Lid | White - Transparent Glass |
| POWER SOURCE | |
| Ratings | CSA Listed |
| Electrical Requirements | 120V @ 60Hz. |
| DIMENSIONS | |
| Product (WxHxD) | 27" x 44 1/2" x 28 3/8" (57 1/5" H with lid open) |
| Carton (WxHxD) | 29 19/32" x 46 3/8" x 31 3/8" |
| Weight (Product) | 134.5 |
| Weight (Carton) | 149.9 |
| LIMITED WARRANTY | |
| Parts and Labor | 1 Year |
| Direct Drive Motor | 10 Years |
| Drum | Limited Lifetime |
| UPC CODES | |
| WT7100CW | 048231023986 |
| DLE7100W | 048231023993 |
| DLG7101W | 048231024006 |

WT7100CW

4.5 cu. ft. Rear Control Top Load Washer

QUICK INSTALL & CLEARANCES

For full installation directions/clearances please refer to the corresponding User Manual and Installation Guide.

DIMENSIONS/CLEARANCES/WEIGHTS

| | |
|---------------------------|-------------------------------|
| A Width | 27" |
| B Height | 44 1/2" |
| C Depth | 28 3/8" |
| D Height with lid open | 57 1/5" |
| Carton Dimensions (WxHxD) | 29 19/32" x 46 3/8" x 31 3/8" |

ENERGY / RATINGS

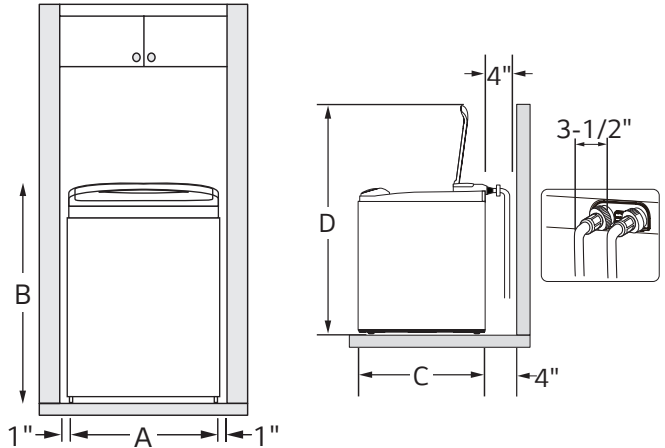
| | |
|-------------------------|--------------|
| ENERGY STAR® Qualified | Yes |
| IMEF | 2.06 |
| IWF | 4.3 |
| Ratings | CSA Listed |
| Electrical Requirements | 120V @ 60Hz. |

ELECTRICAL REQUIREMENTS

- The washer should be plugged into a 120-VAC, 60-Hz grounded 3-prong outlet. Plug in the washer. Improper connection of the equipment-grounding conductor can result in risk of electric shock. Check with a qualified electrician or service technician if you are in doubt as to whether the appliance is properly grounded. Do not modify the plug provided with the appliance. If it does not fit the outlet, have a proper outlet installed by a qualified electrician. Failure to follow these warnings can cause serious injury, fire, electrical shock, or death.
- The power outlet must be within 60 inches (1.5 m) of either side of the washer.
- The appliance and outlet must be positioned so that the plug is easily accessible.
- Do not overload the outlet with more than one appliance.
- The outlet must be grounded in accordance with current wiring codes and regulations.
- Time-delay fuse or circuit breaker is recommended.
- It is the personal responsibility and obligation of the product owner to have a proper outlet installed by a qualified electrician.



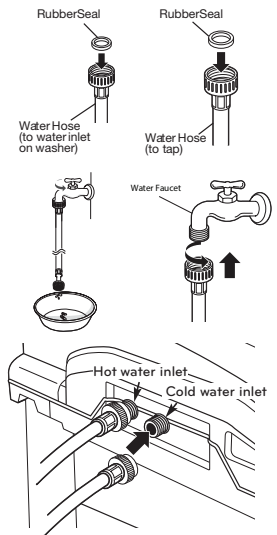
DIMENSIONS AND CLEARANCES



- To ensure sufficient clearance for water lines and airflow, allow minimum clearances of at least 1 in. (2.5 cm) at the sides and 4 in. (10 cm) behind the unit. Be sure to allow for wall, door, or floor moldings that may increase the required clearances.

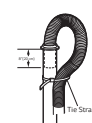
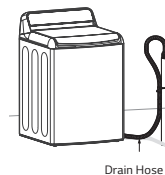
CONNECTING THE WATER LINES

- LG recommends the use of LG hoses. Any leaking, property damage, or damage to the washing machine caused by an improper installation or by the use of non-LG hoses is not covered under the terms of the LG warranty and is the sole responsibility of the customer and/or an installer.
- Water supply pressure must be between 20 psi and 120 psi (138-827 kPa). If the water supply pressure is more than 120 psi, a pressure reducing valve must be installed.
- Inspect the threaded fitting on each hose and make sure there is a rubber seal in place in both ends of each hose.
- Connect the water supply hoses to the HOT and COLD water faucets tightly by hand and then tighten another 2/3 turn with pliers.
- Always run a gallon or two of water through each inlet hose to flush dirt, scale and other debris out of the water lines. Doing so will help prevent future problems with clogged filter screens, and will also allow you to verify which water line is hot and which is cold.
- Attach the hot water line to the hot water inlet on the back of the washer. Attach the cold water line to the cold water inlet on the back of the washer. Tighten the fittings securely. Turn ON both faucets all the way and check for leaks at both ends of the hoses.



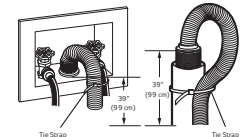
CONNECTING THE DRAIN HOSE

- The drain hose should always be properly secured. Failure to properly secure the drain hose can result in flooding and property damage.
- The drain must be installed in accordance with any applicable local codes and regulations.
- Make sure that the drain hose is not stretched, pinched, crushed, or kinked.
- Normal height of the end of the hose should be approximately 35"-47" (0.9-1.2 m) from the floor.
- Do not install the end of the drain hose lower than 29 in. (73.7 cm) or higher than 96 in. (243.8 cm) above the bottom of the washer or more than 60 in. (152.4 cm) away from the washer.
- Never create an airtight seal between the hose and the drain with tape or other means. If no air gap is present, water can be siphoned out of the tub resulting in poor wash/rinse performance or clothing damage.



STANDPIPE Option

- Do not insert the end of the drain hose into the standpipe more than 8 inches (20cm). **Doing so can cause siphoning, odors, or improper draining.**



LAUNDRY TUB Option

- Do not use this drain hose with a floor drain. The end of the drain hose must be at least 29 inches above the floor for proper draining to occur.